



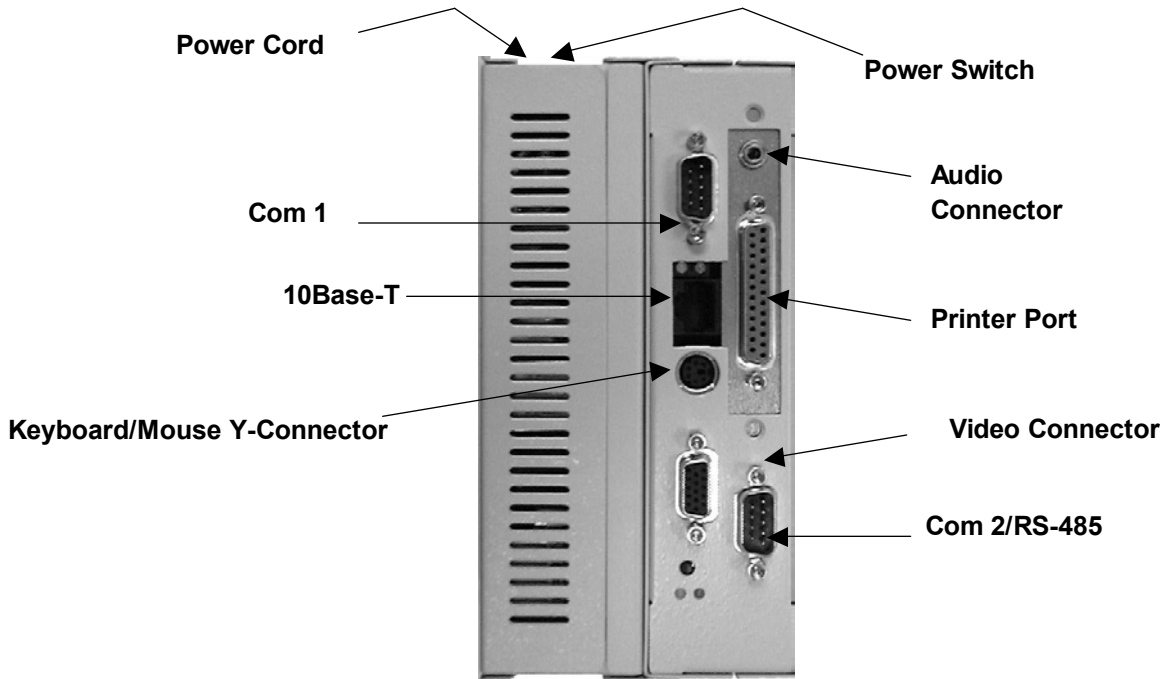
Side View



Back View

### West-Call® EV-CNTR-2

The Endeavor Controller 2 is an embedded controller that runs the Endeavor Controller program on a solid-state disk. It is capable of networking up to 127 EV-I/O boards and synchronizing them system wide. Individual or group pagers are assignable to individual devices. Duty stations and zone lights may be assigned to activate for any Endeavor device. If an EV-I/O board should fail, the EV-CNTR-2 is capable of detecting it. All call types and systems failure can report to a West-Call® Call Display Terminal.



- ▶ Networks up to 127 EV-I/O boards
- ▶ Synchronizes flash rates system wide
- ▶ Capable of activating duty stations and zone lights
- ▶ Recognizes system failures
- ▶ Interfaces with the West-Call® CDT
- ▶ Uses solid state flash disk
- ▶ Capable of paging individual or group pagers

Construction	Heavy duty steel
LED Indicators	Built in Power LED indicator
Paint Color	Industrial gray
Net Weight	2.5Kg
Maximum Output	40 Watts
Output Voltage and Current Rating	+5V @ 3A, +12V @ 2A, -5V @ 0.3A, -12V @ 0.3A
AC Input Voltage	90VAC to 264VAC
Input Frequency	47 to 63Hz
Operating Temperature	0 to 50 degrees Celsius
Storage Temperature	-20 to 85 degrees Celsius
Humidity	5 % to 95 % non-condensing
Dimensions	6.5"(W) x 3.25"(H) x 4.5"(D)



View West-Com's complete West-Call® line of healthcare communications solutions at [www.westcall.com](http://www.westcall.com)

West-Com Nurse Call Systems Incorporated  
 P.O. Box 640 • Danville, CA 94526 • 800-761-1180 • fax: 925-831-0842 • [info@westcall.com](mailto:info@westcall.com)